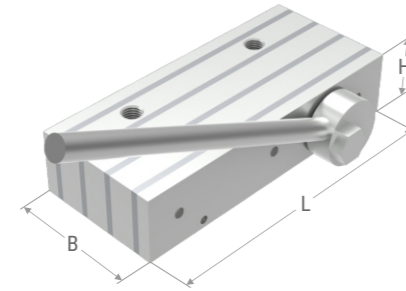


BETA Maschinenbau GmbH & Co. KG
 Nordhäuser Straße 2
 99765 Heringen
 Germany

@ magnettechnik@beta-mb.de

+49 36333 666-210



Compact magnet BCM



SCAN

The magnet BCM allows a quick change of the formwork heights by various adaptation possibilities.

The magnet body is fully galvanized and can be equipped with additional accessories via two threads.

The integrated release lever ensures convenient and safe removal from the formwork base.

Types & Accessoires

Type	Force N	L mm	B mm	H mm	Weight kg
BCM L	11,000	230	50	50	4.9
BCM XL	16,000	230	75	50	7.0
BCM XXL	21,000	230	100	50	9.1
BCM XXXL	26,000	230	125	50	11.2



Fixation and holder



Dual fixation and holder



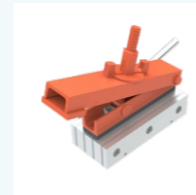
Fixation w. knurled knob



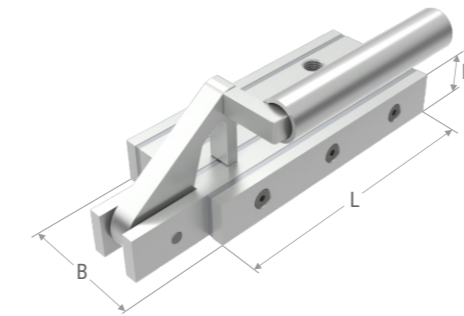
Stop bracket



Corner stop bracket



Flap down-holder



Power magnet BPM



SCAN

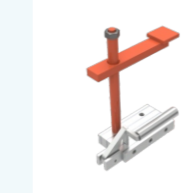
The magnet BPM is a power pack which enables a quick change of the formwork heights by means of a fixation and holder.

The magnet body is fully galvanized and can be equipped with further accessories due to two integrated threads.

The integrated release lever ensures convenient and safe removal from the formwork base.

Types & Accessoires

Type	Force N	L mm	B mm	H mm	Weight kg
BPM L	11,000	240	84	30	4.2
BPM XL	16,000	240	104	30	5.1
BPM XXL	21,000	240	104	30	5.7



Fixation and holder



Dual fixation and holder



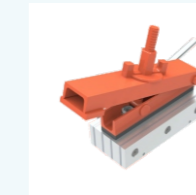
Fixation w. knurled knob



Stop bracket



Corner stop bracket



Flap down-holder

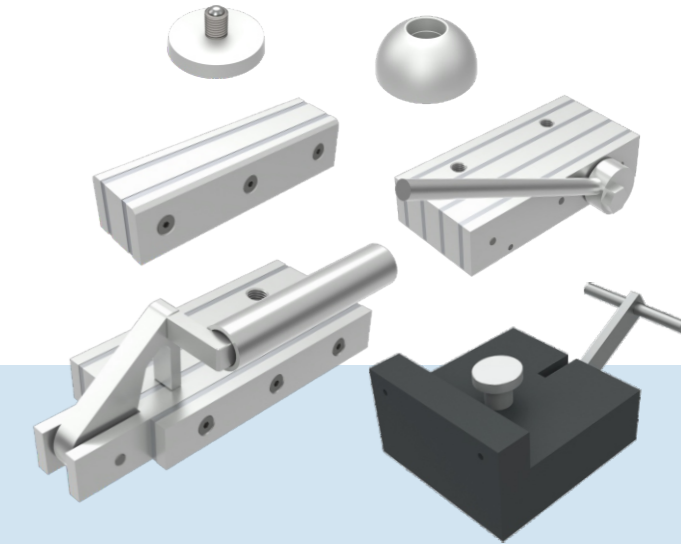


Head plate



Head hold-down device

Quality
Made in Germany

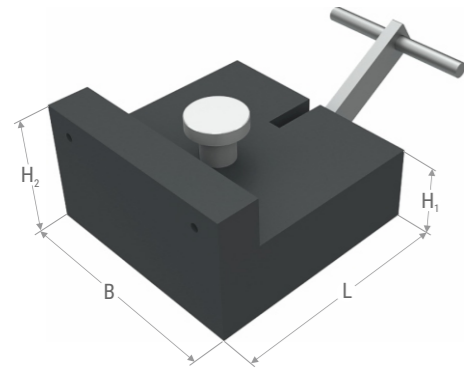


Magnets for formworks



Different sizes available
 Holding force up to 21,000 N
 Accessories for all applications
 Use with various formwork systems

www.beta-mb.de



Types & Accessoires

Type	Force N	L mm	B mm	H ₁ mm	H ₂ mm	Weight kg
BKM M	5,000	160	160	90	55	3.0
BKM L	7,500	160	160	90	55	3.5
BKM XL	10,000	160	160	90	55	4.0

PE magnet BKM



SCAN

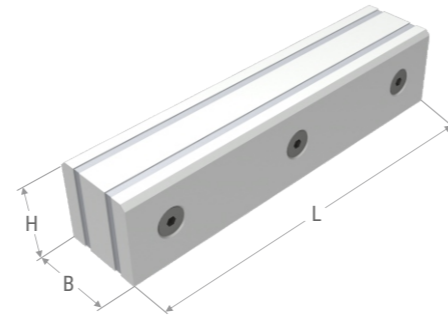
Customized products

Deviating from our standard models we also produce according to your special requirements.

The magnet BKM is a universally applicable holding magnet in a high-strength, impact-resistant PE housing.

It achieves holding forces of up to 10,000 N and is used for fixing window and door recesses or as a supporting magnet for existing formworks.

The integrated release lever ensures easy handling.



Types & Accessoires

Type	Force N	L mm	B mm	H mm	Weight kg
BUM S	3,000	140	50	50	2.4
BUM M	5,000	230	50	50	3.9
BUM L	7,000	140	50	50	2.6
BUM XL	9,000	230	50	50	4.1
BUM XXL	11,000	230	50	50	4.2

Carousel magnet BUM



SCAN

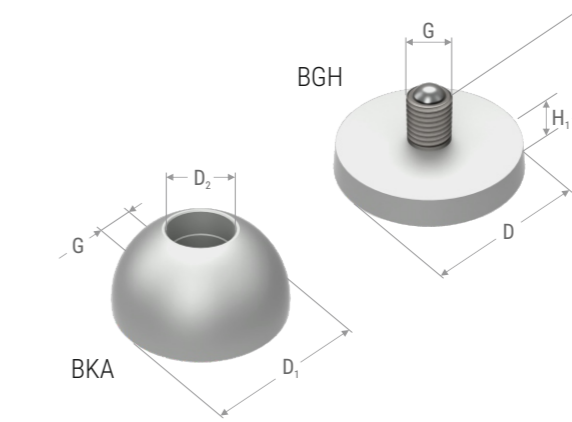
The robot-compatible magnet BUM with holding forces of up to 11,000 N is used to fix your cross and length formworks. BUM magnets are ideal to applicate in circulation formworks of the BUS series.

For optimum use with robots, we supply the magnets with an optional non-magnetic head plate.

With the help of the release lever the magnets can be released from the formwork base in an upright standing position.



BUM formwork



Fitting magnets BKA and BGH



SCAN

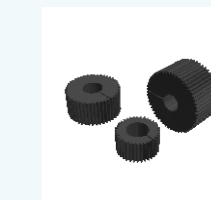
Magnets of the BGH and BKA series are used to fix threaded sleeves, electrical sockets, anchors and other built-in parts.

The magnet bodies are galvanized and the magnetic surface is smoothed. To cover a wide range of applications, we supply the magnets in several sizes and with different thread designs.

Types & Accessoires

Type BKA	Force N	D ₁ mm	D ₂ mm	Load level t	Thread type
BKA S	1,000	60	20	1.3	M10
BKA M	1,000	74	28	2.5	M12
BKA L	1,500	94	38	5.0	M12

Type BGH	Force N	D mm	H ₁ mm	H ₂ mm	Thread type
BGH XL / M12	1,000	70	10	28	M12
BGH XL / M16	1,000	70	10	28	M16
BGH XL / M20	1,000	70	10	28	M20
BGH XL / M24	1,000	70	10	28	M24
BGH XL / M30	1,000	70	10	28	M30
BGH XL / M36	1,000	70	10	28	M36
BGH XL / M42	1,000	70	10	28	M42
BGH XL / B15	1,000	70	10	60	B15
BGH L / M12	500	50	10	28	M12
BGH L / M16	500	50	10	28	M16
BGH L / B15	500	50	10	60	B15



BKA rubber collars



BGH thread attachments