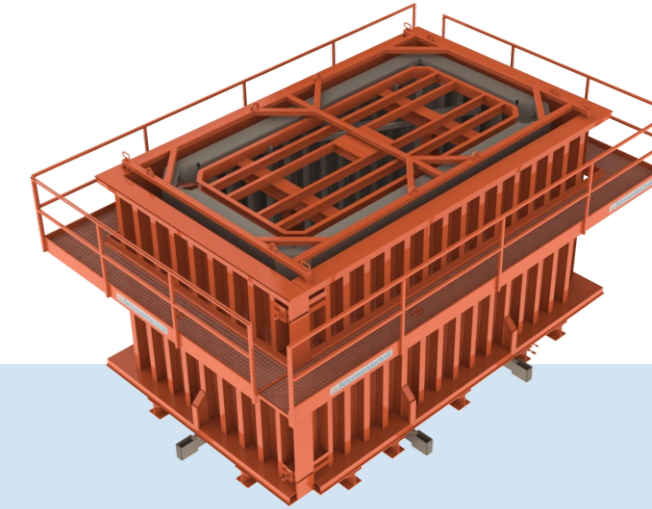
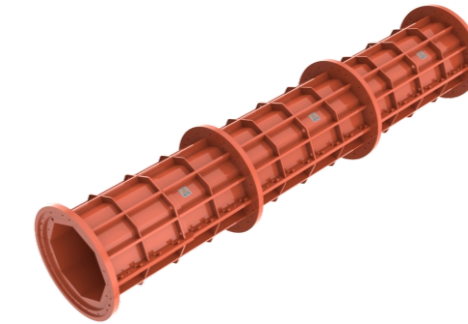
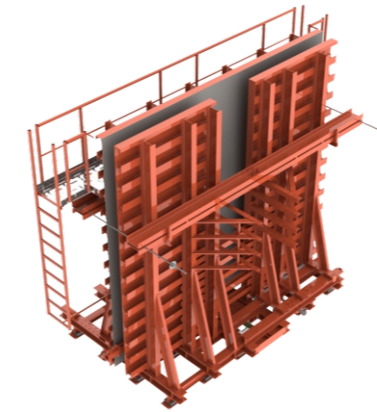
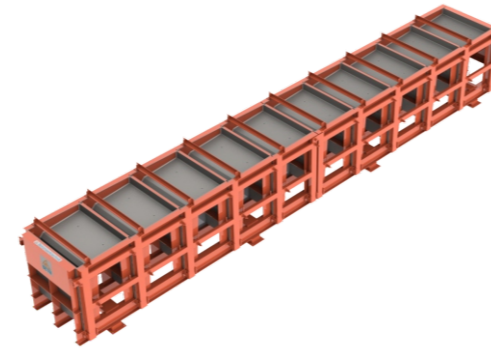


BETA Maschinenbau GmbH & Co. KG
 Nordhäuser Straße 2
 99765 Heringen
 Germany

@ betonwerktechnik@beta-mb.de

+49 36333 666-260

Quality
 Made in Germany



Tanks and separators



SCAN

Structural precast parts



SCAN

Infrastructure



SCAN

Spun concrete poles



SCAN

Moulds for precast concrete elements

Tanks for water and waste water

- Rainwater storage
- Extinguishing water tank
- Petrol and grease separators
- Small sewage treatment plants
- Tanks for pumps and system technology
- Container for new energies
- Pellet store, silage container

Complex high-precision formworks

- Kerbs and bus kerbs
- Tactile floor Indicators
- Platform edges
- Cable ducts and masts
- Track plates, crossing elements
- Railway sleepers and elements

System formwork and special forms

- Support formwork
- Binder formwork
- TT formwork
- Pi ceiling moulds
- Foundation moulds
- Bridge girder formwork

Moulds for masts of all types

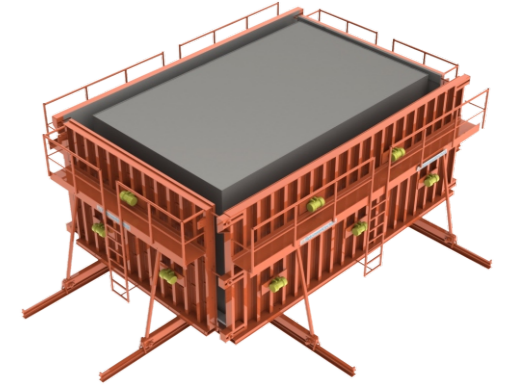
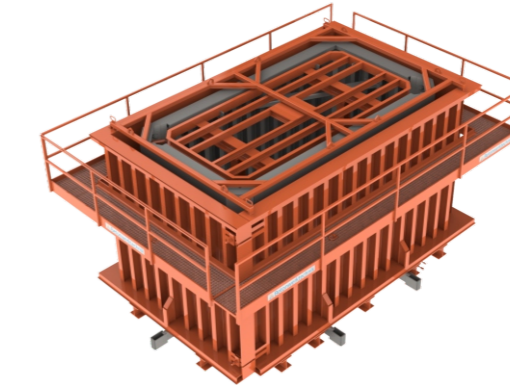
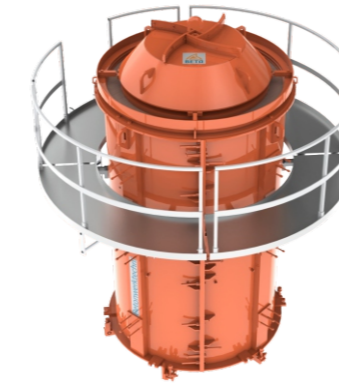
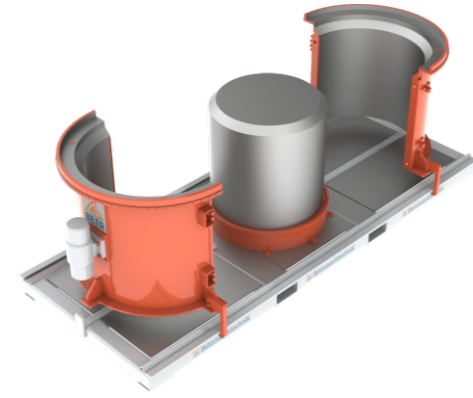
We offer spun concrete moulds adapted for your centrifugal bench.

- Radio poles
- Overhead line poles
- Support poles
- Advertising poles



Customized steel moulds for the production of high-precision concrete parts in the precast factory

www.beta-mb.de



Customized products

Deviating from our standard models we also produce according to your special requirements.

Shaft structures



SCAN

Casting moulds for standard concrete, SCC or polymer concrete and **moulds for immediate demoulding** for pipe machines

Walls, ceilings, panels



SCAN

Pipes, gullies and channels



SCAN

Casting moulds for standard concrete, SCC or polymer concrete and **moulds for immediate demoulding** for pipe machines

Room and 3D modules



SCAN

Box culverts and channels



SCAN

Moulds for precast concrete parts

Our particular strength is designing and manufacturing of complex steel formwork for the production of high-precision concrete parts. Outstanding variability and robustness represent the high quality of our products.

Shafts and shaft parts

- Shaft lower sections
- Shaft rings, adapter rings
- Shaft throats, cones
- Cover plates, transition plates
- Shaft pipes
- Systems with climbing staples or irons

Building and facade parts

- Roof formwork
- Paving formwork
- Car park ceiling and ramp moulds
- Noise protection wall moulds
- Facade element formwork
- Battery formwork

Tubes and gutters of all types

- Concrete pipes, non- and reinforced
- Jacking pipes and sink shafts
- Bell sleevepipes, corrugated pipes
- Pressure pipes, large-diameter pipes
- Oval, arched and kite-profile pipes
- Gully pipes, dry weather gulleys
- Inline pipes
- Slotted channels and shaft pipes

Complex shapes

- Room cell formworks
- 3D modular formworks
- Transformer stations
- Water tanks and reservoirs
- Bathroom and sanitary cells
- Garage formworks
- Residential building and hotel modules

Elements for distribution and supply

- Rectangular-section piping and channels
- Water reservoirs, rainwater retention basins
- Stream pass-throughs, media channels
- Pedestrian tunnels, underpasses
- End elements, embankment heads