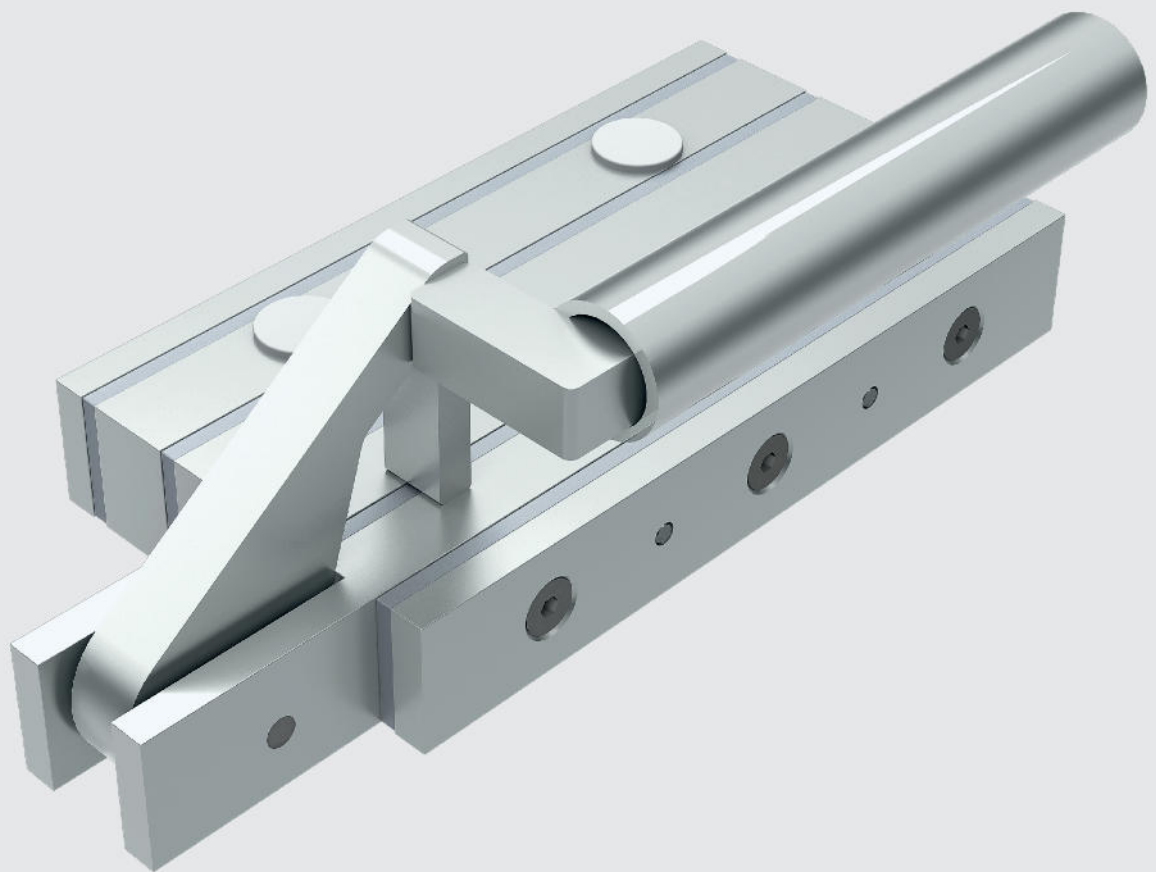


Universal holding magnet with low height



adhesive forces
from 11000 – 21000 N

Power Magnet BPM



made
in
Germany

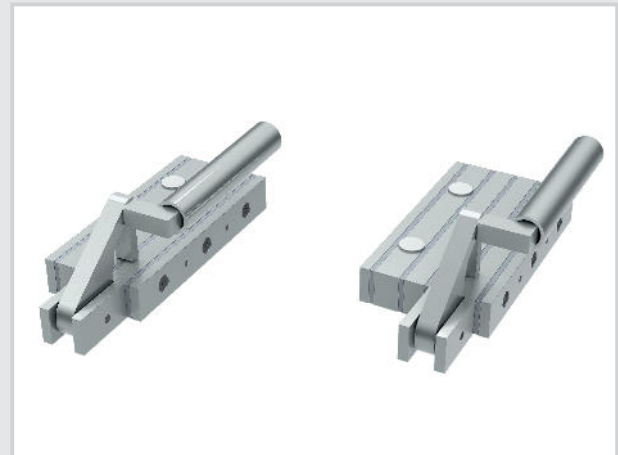
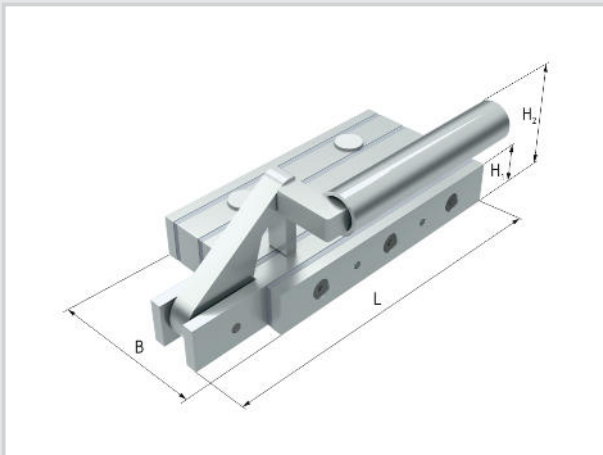
FORMWORKS & MAGNETS

Power Magnet BPM

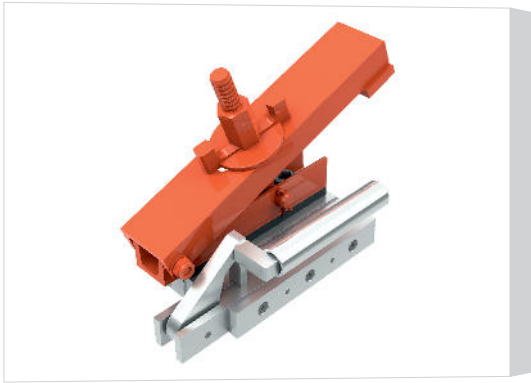
The BPM magnet is a powerhouse that enables the rapid changing of the formwork height by means of guide rods and holders. The body of the magnet is fully galvanised and thanks to its 2 threads, can be equipped with a comprehensive range of accessories.

Our formwork and magnets have a high manufacturing quality and guarantee many years of reliability. With your specifications for geometry, quantities and manufacturing conditions in the concrete factory, we would be delighted to generate a proposal for you.

We will develop the optimum solution for you, automated for a high level of convenience or designed for products that are changed frequently and produced in low volumes.



type	adhesive forces [N]	length L [mm]	width B [mm]	height H ₁ [mm]	height H ₂ [mm]	weight [kg]
BPM L	11000	240	84	30	95	4,2
BPM XL	16000	240	104	30	95	5,1
BPM XXL	21000	240	104	30	95	5,7



■ Magnet BPM
with flap adapter



■ Magnet BPM
with fixation & knurled knob



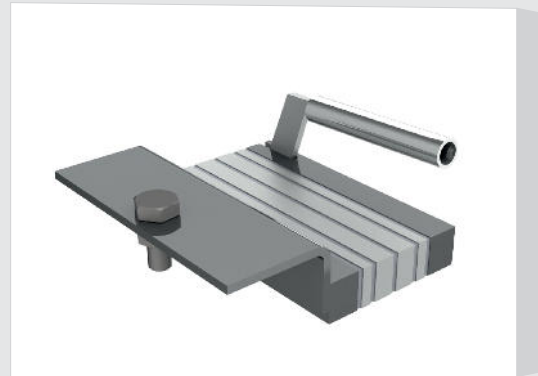
■ Magnet BCM
with Holder



■ Magnet BCM
with Holder



■ Magnet BPM
with head piece



■ Magnet BPM
with Holder

Power Magnet BPM

FORMWORKS & MAGNETS



Our General Terms and Conditions apply. They are available on the Internet under www.beta-mb.de.

Power Magnet BPM



BETA Maschinenbau GmbH & Co. KG
Nordhäuser Straße 2 ■ 99765 Heringen ■ Germany
Tel. +49 36333 666 0 ■ Fax +49 36333 666 18
Website www.beta-mb.de ■ Email info@beta-mb.de